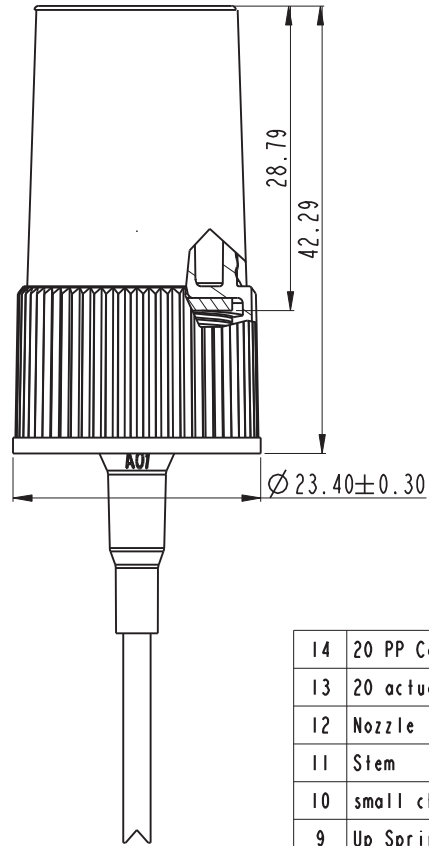
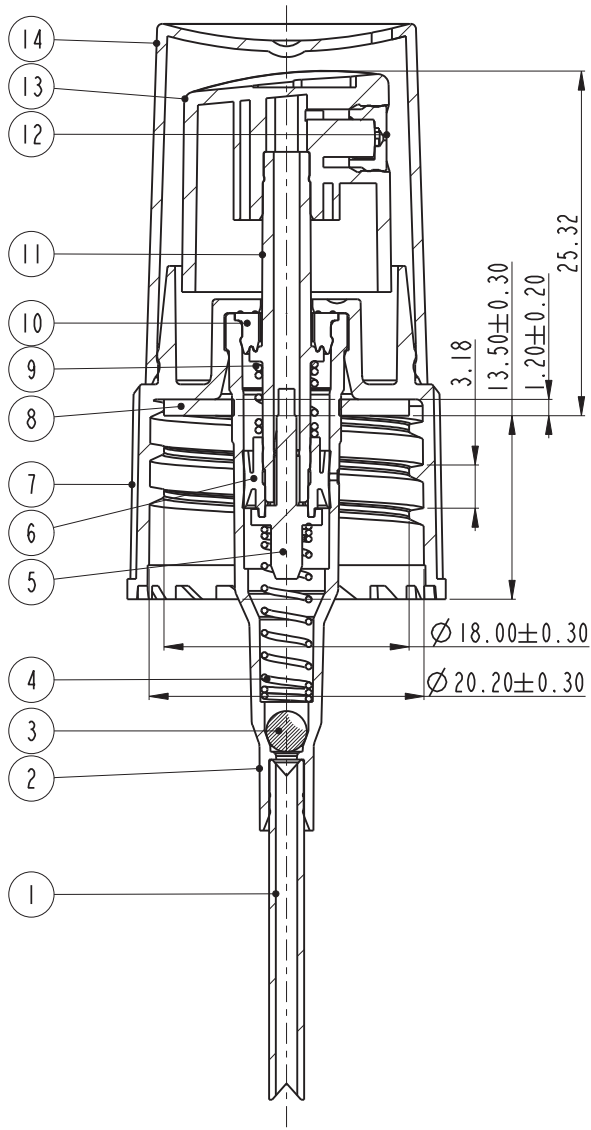




106806

20-410 White Fine Mist Sprayer with 4" Dip Tube
 K.G. International - sales@kgint.com - +1 305 499-9816



14	20 PP Cap	PP	color for order form	SJY601-07A0	1	
13	20 actuator	PP	color for order form	SJY601-08A7	1	
12	Nozzle	POM	color for order form	SJY601-11A2	1	
11	Stem	POM	natural	SJY601-04A1	1	
10	small chaplet	HDPE	color for order form	SJY601-06A1	1	
9	Up Spring	SUS304	Ø 0.50*4.6*8.4*6.5N	SJY601-96A2	1	
8	Gasket	EPE	Ø 18*Ø 7.7*1.2mm	SJY601-20A6	1	
7	20/410R Closure	PP	color for order form	SJY601-05B7	1	
6	Small Piston	LDPE	Natural	SJY601-03A1	1	
5	Needle	POM	Natural	SJY601-17A1	1	
4	Down Spring	SUS304	Ø 0.45*3.7*18.5*15N	SJY601-96A1	1	
3	Ball	GLASS	Ø 3.0.natural	SJY601-97A1	1	
2	Housing	PP	color for order form	SJY601-01A2	1	
1	Dip tube	PE	Ø 2.58*0.6mm	SJY601-95A1	1	
NO.	Component	Material	Specification	DWG No.	QTY	Remark